

# DEPRAG

All Components  
from one source



## THE INTELLIGENT MANUAL WORK STATION

Tuned Components guaranteed

- Process Reliability
- Flexibility
- Technical Cleanliness
- Ergonomic
- ESD-Capable
- Cost Efficient



# The Intelligent Manual Work Station

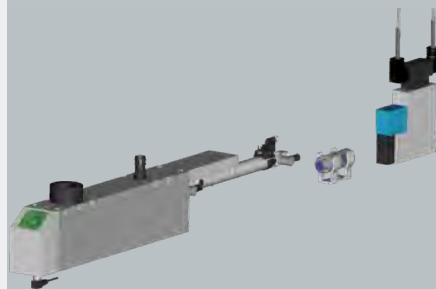
- Intelligent Process Control and Process Documentation
- Highest Accuracy through the established EC Technology
- Automatic adjustment of your screwdriving parameters based upon position control
- Technical Cleanliness through vacuum extraction, low agitation feeding techniques and special process parameters
- Monitoring and control of part counts, screw positions and screw insertion sequences



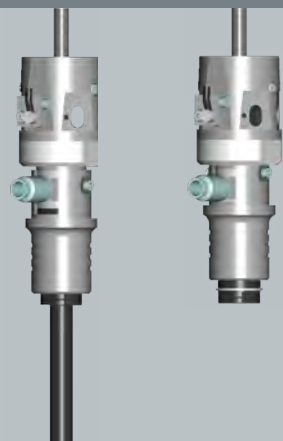
## Technical Cleanliness



**Avoid Abrasion**

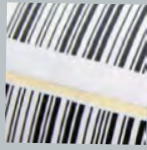


**Reduce Abrasion**

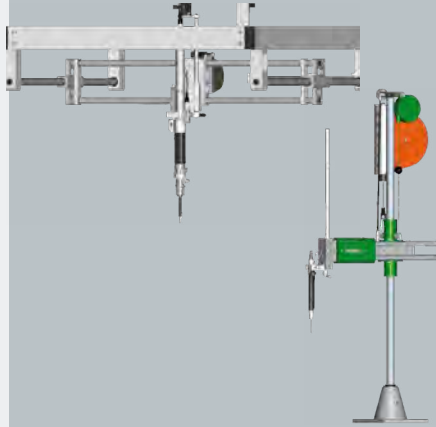


**Remove Abrasion**

# Flexibility



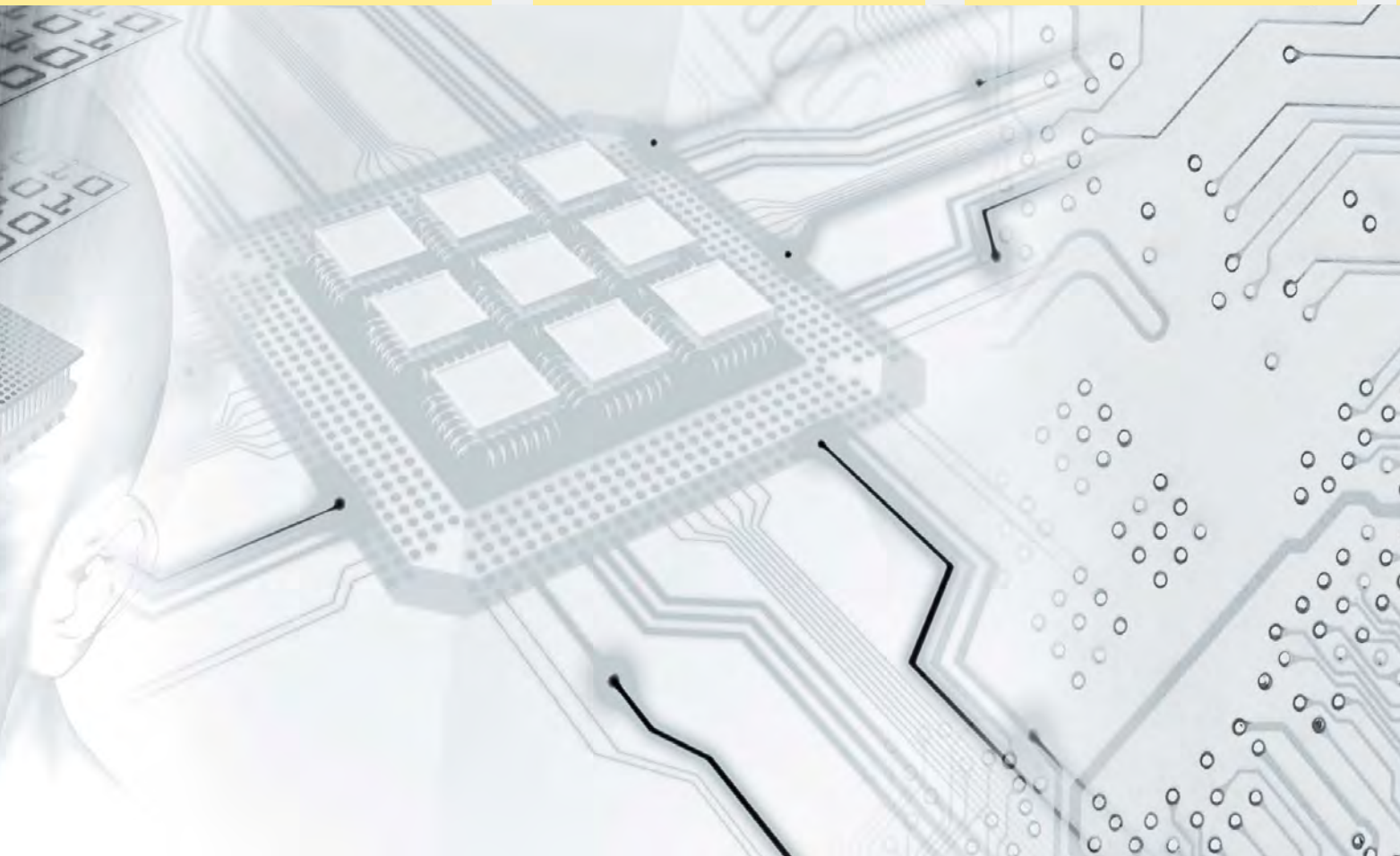
**Product Identification and Process Mapping**



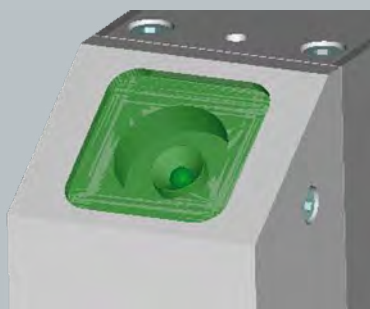
**Designate the Screw Position and the Screw Assembly Sequence**



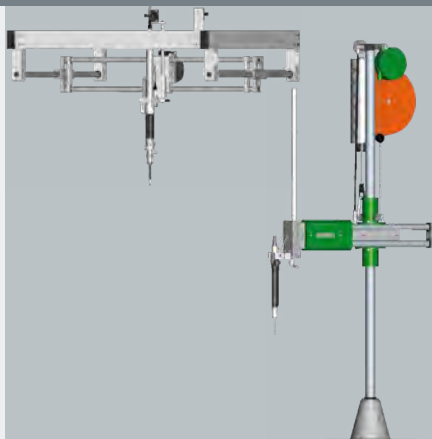
**Mapping, Visualization, Monitoring**



# Ergonomic



**Optimized Operator Guidance through Process Visualization**



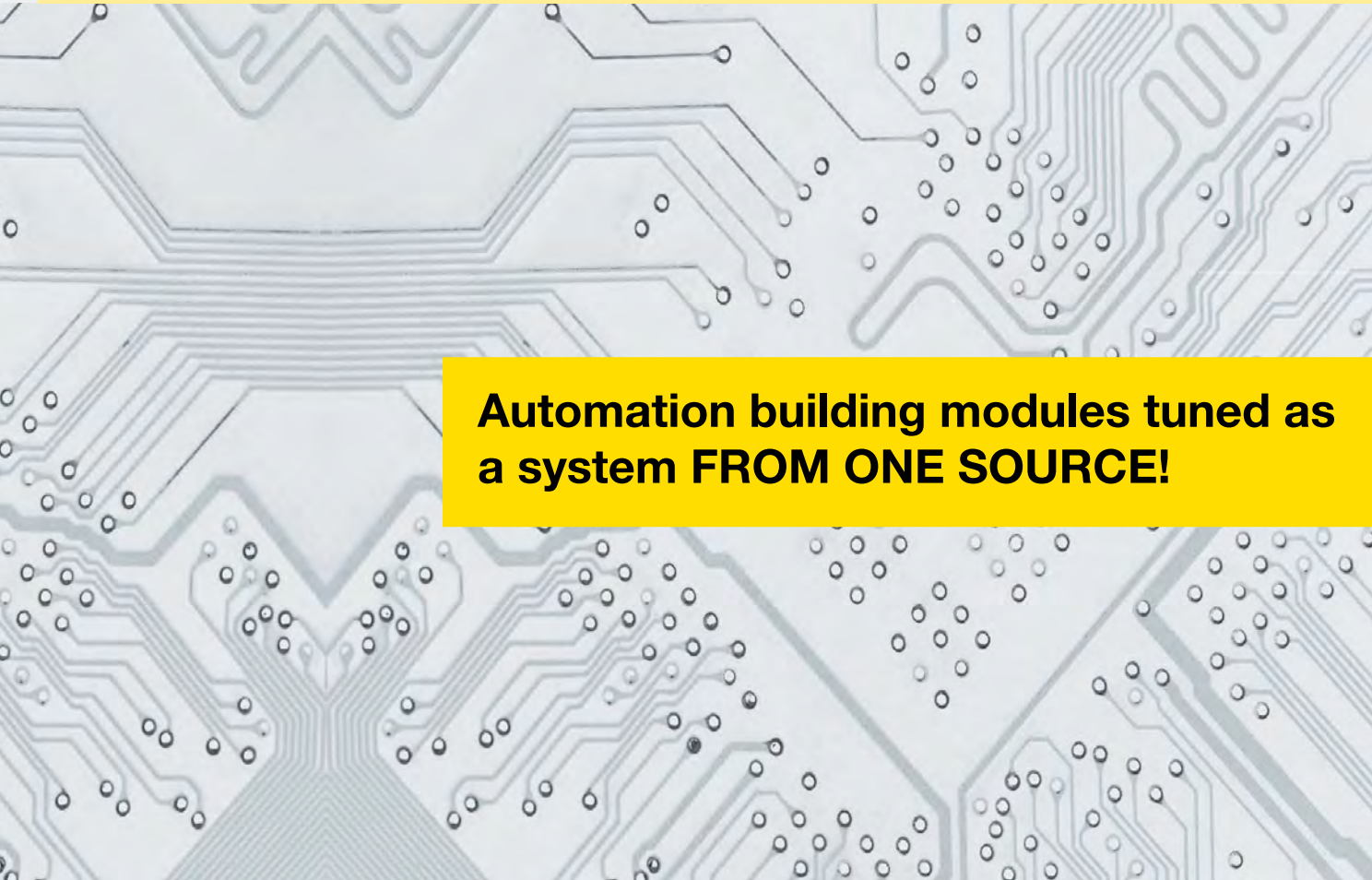
**Operator Comfort through optimized Support Modules**



**Ergonomically proven Workplace Accessories**



**Screwdriving Parameters automatically adjusted**

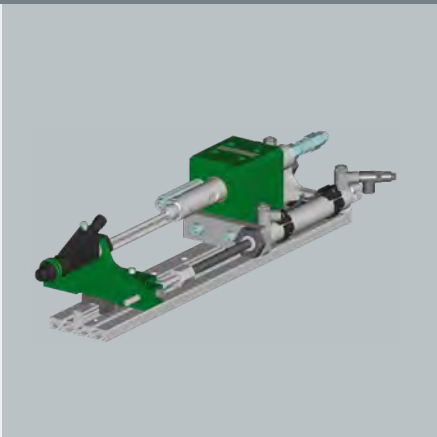


**Automation building modules tuned as a system FROM ONE SOURCE!**

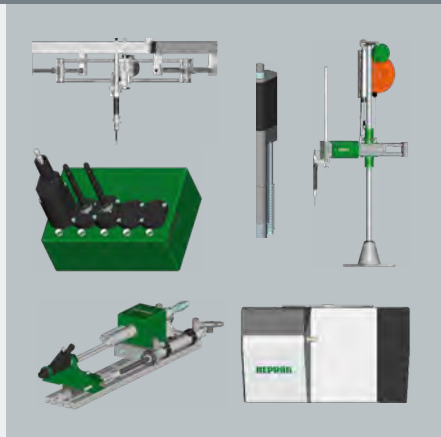
**ESD-Capable                      Cost Effective**



**Targeted Dissipation of Electrostatic Charge**



**Individual Components tuned as a System**

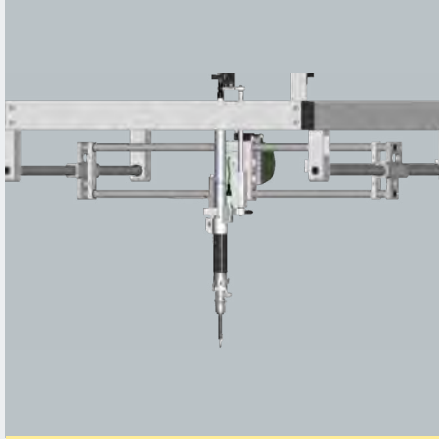


**Standard Solutions**

## Process Reliability



**Highest Accuracy**



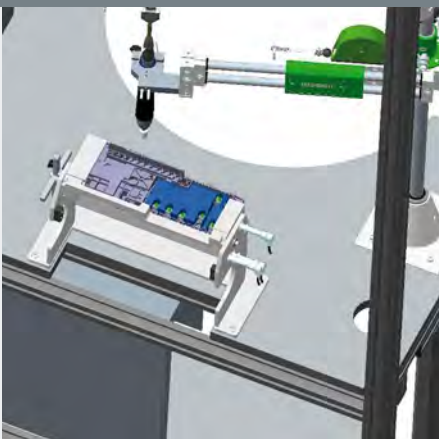
**Monitoring and Control of the Screwdriving Process**



**Analyze, Record and Display your Process Data**



## Process Reliability



**Monitoring and Control of your Part Handling**



**Positioning and Feeding of your Fasteners**



**Ergonomic Operator Interface and Assistance**



**DEPRAG**

Your worldwide partner for  
Screwdriving Technology and Automation

Please find more information about our  
Intelligent Manual Work Stations at:

[www.deprag.com/en/automation.html](http://www.deprag.com/en/automation.html)

**DEPRAG**

**DEPRAG SCHULZ GMBH u. CO**  
P.O. Box 1352, D-92203 Amberg, Germany  
Carl-Schulz-Platz 1, D-92224 Amberg

Phone +49 9621 / 371-0, Fax: +49 9621 / 371-120  
[www.deprag.com](http://www.deprag.com), [info@deprag.de](mailto:info@deprag.de)

