



Screwdriving Technology



Automation



Air Motors



Air Tools



Pneumatic Drills - Pistolgrip

Model DP 060-037ZP3/8“, DP 060-060ZP3/8“

Power output: 600 W

Speed - no load: 3 700 1/min; 6 000 1/min

Our drills are equipped with a speed-regulator, which helps to reduce the air consumption when idling.

- Optimal power to weight ratio
- Ergonomic design
- Perfect handling

Our air-drills are designed for the horizontal drilling into steel, aluminium or other materials - for applications industries: Automotive, Aviation, Machining.

These drills are powerful and offer an **integrated speed control**; they excel through their durability and **ergonomic design**.

The robust construction of these drills assures a high lifespan even when used in a 24/7 operation.

These drills operate at an extreme low noise level and keep its operating vibration to a minimum.



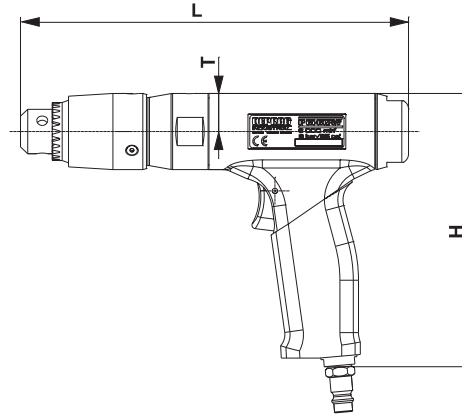
DP 060-037ZP3/8“

TYPE KEY

D P 060 - 037 Z P 3/8"

- 3/8"-thread
- P = Chuck shield
- Z = Trigger
- Speed x 10 [min⁻¹], 037 = 37 000 min⁻¹
- Power x 10 [W], 060 = 600 W
- P = Pistol Grip
- D = Drill

DESIGN



SPECIFICATIONS

Model Part Number		DP 060-037ZP3/8" 6061155A	DP 060-060ZP3/8" 6061155B
Speed (no load)	min ⁻¹ (rpm)	3 700	6 000
Max. power output	W (hp)	600 (.8)	600 (.8)
Air consumption at max. power / no load	m ³ /min (cfm)	0,8 / 0,2 (28.25)	0,8 / 0,45 (28.25)
Max. Ø of drill bit	mm (in)	10 (.39)	10 (.39)
I.D. of air inlet hose	mm (in)	10 (.39)	10 (.39)
Chuck range 3/8"	mm (in)	0,8 - 10 (.03 - .39)	0,8 - 10 (.03 - .39)
Weight	kg (lbs)	1,1 (2.43)	1,1 (2.43)
Height H	mm (in)	151 (5.94)	151 (5.94)
Length L	mm (in)	214 (8.42)	214 (8.42)
Distance from spindle center to outside of housing T	mm (in)		
Rotation		Right	Right
Air connection		G 1/4"	G 1/4"

Specifications at 90 psi (6,3 bar)

STANDARD EQUIPMENT

Socket 12 mm	Part No.	800403
Allen key no. 2	Part No.	6072586
Quick release coupling	Part No.	6072224