



Screwdrivers

Automation

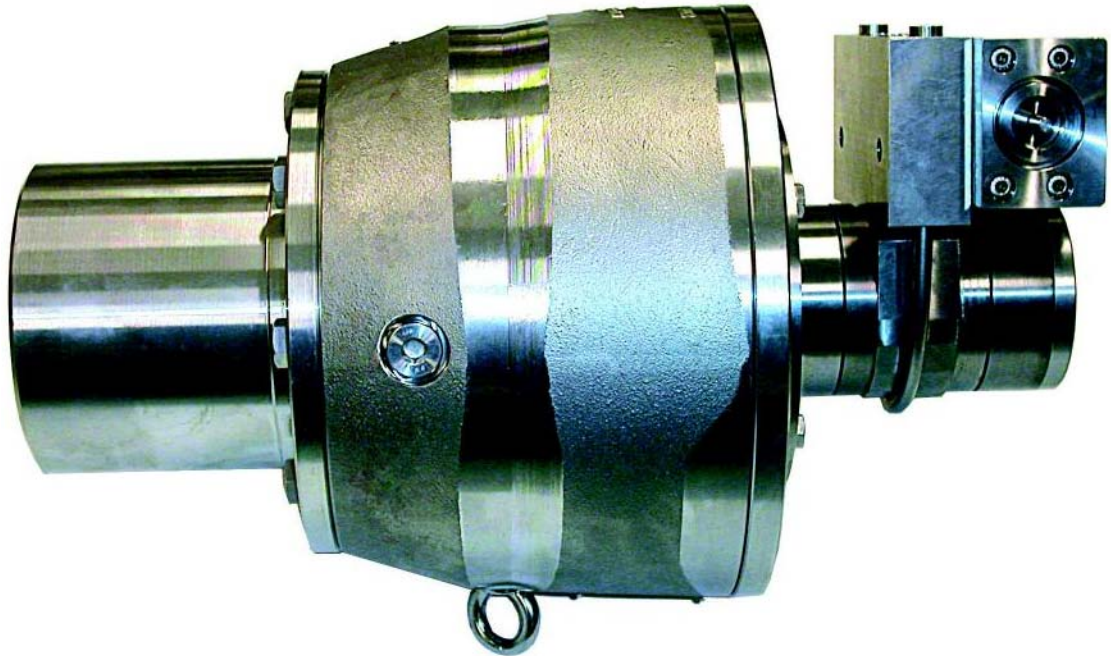
Air Motors

Industrial Tools

DEPRAG

Acid-Proof Airmotors used for extreme application conditions

These DEPRAG acid-proof air motors may be used to equip new machines or to replace old motors made from steel. Each motor is delivered with a customized flange to simplify assembly.



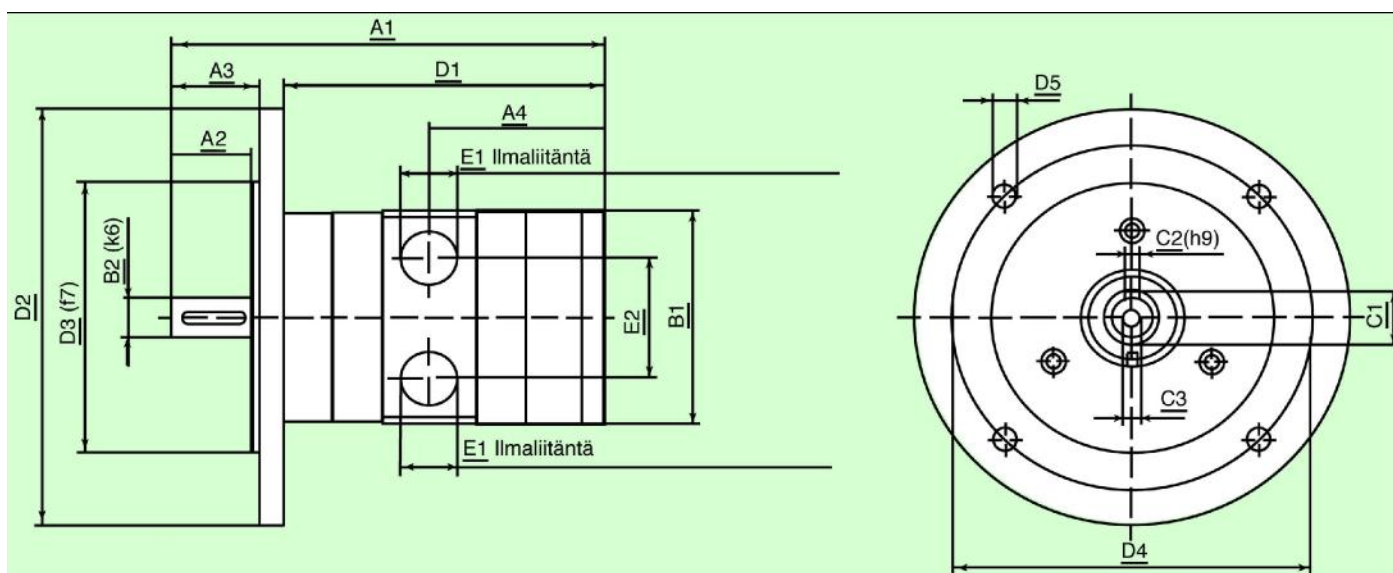
Technical data

The 68-series motors are reversible. The frame is made of acid-proof steel (WN 1.4404). Bearings and springs are made from stainless steel. The rotor is black-nitrated to allow corrosion-free use.

Motors without gear

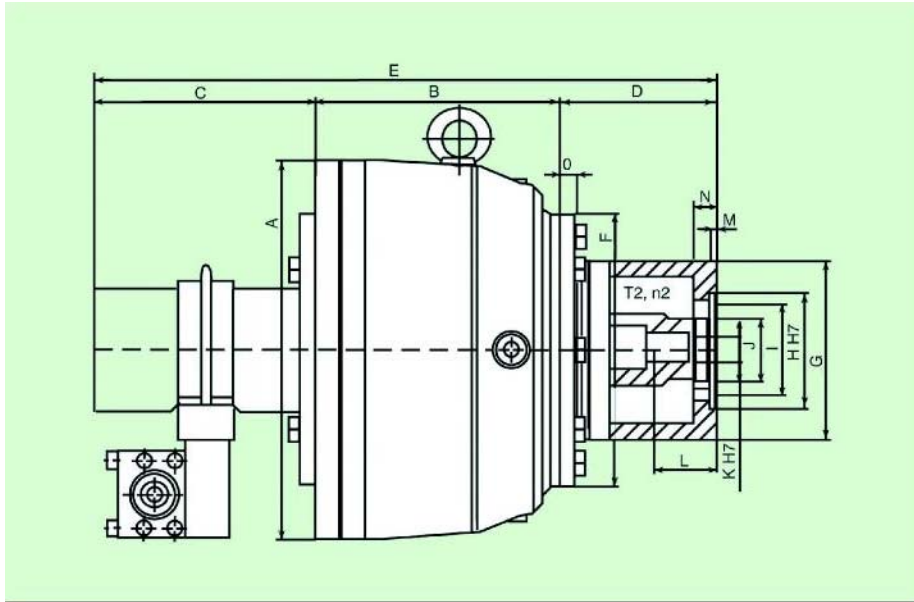
Model No.		68-009	68-0011	68-0013
Flange size •		IEC 71 A	IEC 80 A	IEC 90 A
Power Output	kW/HP	1.6/2.1	2.6/3.5	3.6/4.8
Speed at maximum load	rpm	4500	3500	3000
Speed at no load	rpm	9000	7000	6000
Nominal torque	Nm/in.lbs	3,3/29	7,1/63	11,5/102
Start torque	Nm/in.lbs	5/44	11/97	17/150
Radial load max.	N/lbs	1000/220	1400/300	1900/425
Axial load max.	N/lbs	600/130	700/150	900/200
Air consumption	m ³ /min/cfm	1,9/67	3,6/127	4,8/170
Weight	kg/lbs	4,2/9	7,9/17	16,5/36
Required Hose I.D.	mm/in.	15/ 5/8	19/ 3/4	25/1

Performance data is based on an air pressure of 6.3 bar. (90 PSI)



Model No.	Dimensions (mm)															
	A1	A2	A3	A4	B1	B2	C1	C2	C3	D1	D2	D3	D4	D5	E1	E2
68-009/IEC 71A _	157	26,5	30	64	85	14	16	5	M6	10	160	110	130	9	1/2"	44
68-0011/IEC/80A	199	36,5	40	81	102	19	21,5	6	M8	11	200	130	165	11	3/4"	58
68-0013/IEC/90A	215	46,5	50	85	138	24	27	8	M8	11	200	130	165	11	1"	70

Motors with gear



The PL-series gears are 2-step planetary gears. The Housing is made from acid-proof Steel.

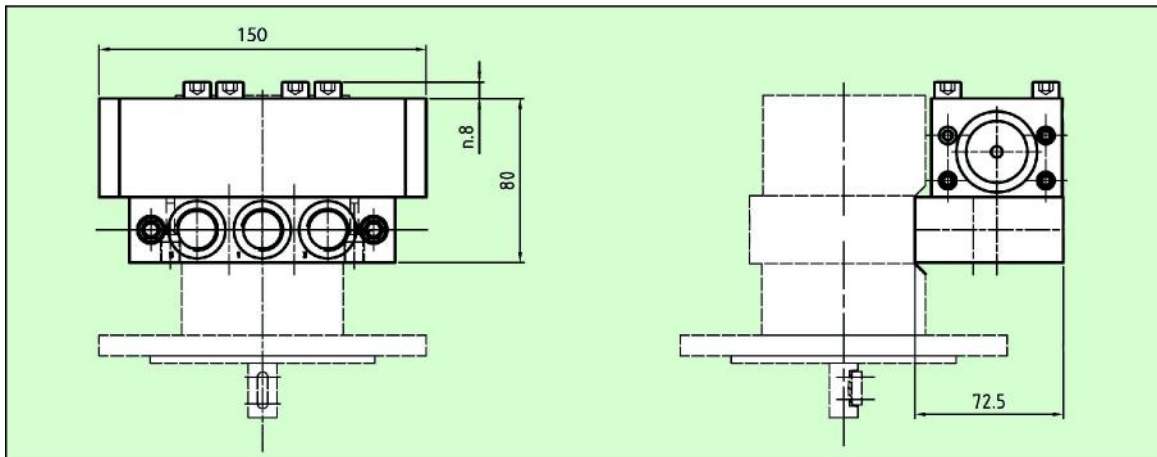
Performance data is based on an air pressure of 6.3 bar. (90 PSI)

Gear	PL200			PL250			PL300		
Dimensions (mm)									
A	Ø243			Ø278			Ø318		
B	171			175			179		
C	127			159			166		
KV	KV60	KV85	KV100	KV60	KV85	KV100	KV60	KV85	KV100
D E	113	123	141 m	113	123 m	141	113	123 m	141
E	411	421	439	447	457	475	458	468	486

Sarja	Planetary Gear	Ratio	Nominal Torque, Nm	Start Torque, Nm	Max. Speed - rpm
68-009	PL200-17H	17.22	58.5	86.1	261
	PL200-21H	21.17	71.9	105.8	213
	PL200-24H	24.15	82.0	120.8	186
	PL200-26H	26.01	88.3	130.1	173
	PL200-28H	28.47	96.7	142.4	158
	PL200-30H	29.68	100.8	148.4	152
	PL200-35H	34.99	118.8	175.0	129
68-0011	PL200-40H	39.93	135.6	199.7	113
	PL250-14H	14.28	101.3	157.1	245
	PL250-18H	18.06	128.1	198.7	194
	PL250-23H	22.65	160.7	249.2	155
	PL250-26H	26.35	186.9	289.9	133
	PL250-28H	28.41	201.5	312.5	123
	PL250-33H	33.05	234.5	363.6	106
68-0013	PL250-38H	38.44	272.7	422.8	91
	PL300-15H	14.86	170.3	252.6	202
	PL300-19H	18.66	213.8	317.2	161
	PL300-21H	21.29	244.0	361.9	141
	PL300-23H	23.19	265.7	394.2	129
	PL300-27H	26.74	306.4	454.6	112
	PL300-29H	28.84	330.5	490.3	104
PL300-33H	33.24	380.9	565.1	90	
PL300-38H	38.32	439.1	651.4	78	

Required Valving

- Flow Capacity: 8 bar
- Valve Size: R 1/2"



DEPRAG, Inc. (800) 433-7724
640 Hembry Street (972) 221-8731
Lewisville, TX 75057 (972) 221-8163

Toll Free
Phone
Fax

mailbox@depragusa.com e-mail
www.depragusa.com Web Site